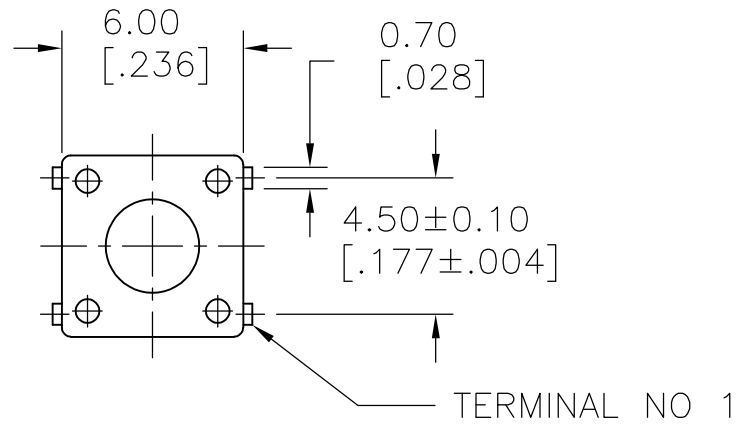
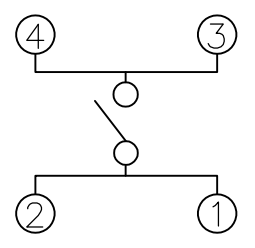


THIS DRAWING IS UNPUBLISHED. RELEASED FOR PUBLICATION  
 © COPYRIGHT - By - ALL RIGHTS RESERVED.

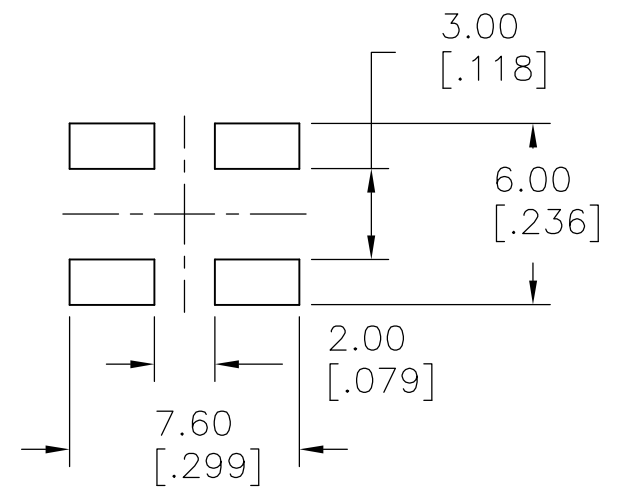
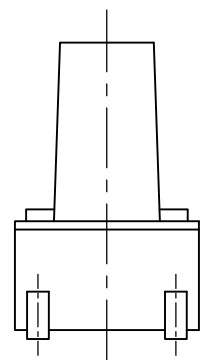
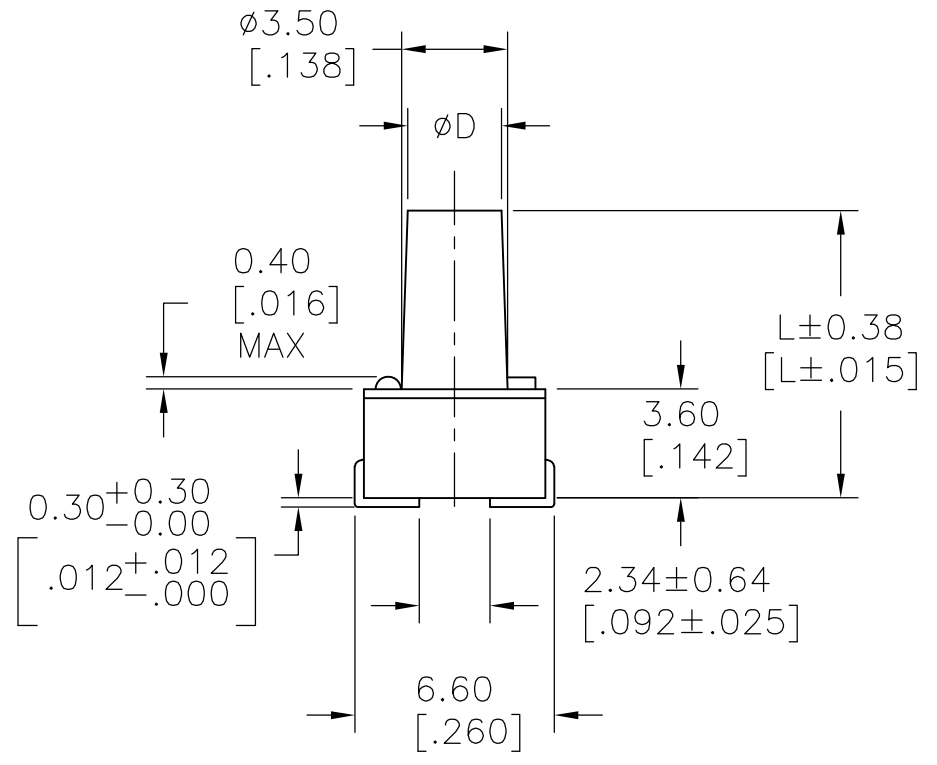
REVISIONS					
P	LTR	DESCRIPTION	DATE	DWN	APVD
	B	REVISED PER ECO-16-018632	05APR2017	SK	PO



CIRCUIT DIAGRAM



- 1 ACTUATOR TRAVEL:  $0.25^{+0.2}_{-0.1}$  [ $.010^{+.008}_{-.004}$ ].
- 2 CONTACT RESISTANCE: 100mΩ MAX.
- 3 ELECTRICAL RATING: 12VDC @ 50mA MAX.
- 4 OPERATING TEMP: -20° TO 70°C  
45-85% RH
- 5 STORAGE TEMP: -30°C TO 80°C.  
(96 HOURS MAX @ CONTINUOUS TEMP OF  
-20°C TO -30°C AND 70°C TO 80°C).
- 6 OPERATING LIFE: 100,000 CYCLES.
- 7 RIGHT AND LEFT VARIATION HAVE TO BE  
IN 0.10[.004] AFTER TERMINAL BENDING.



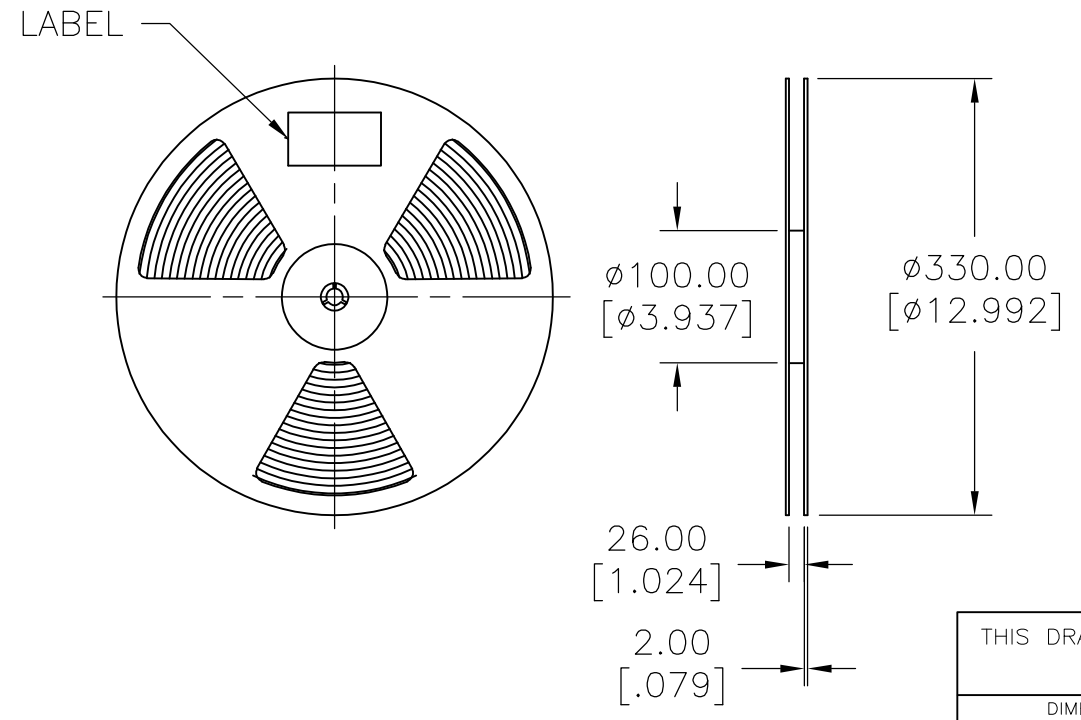
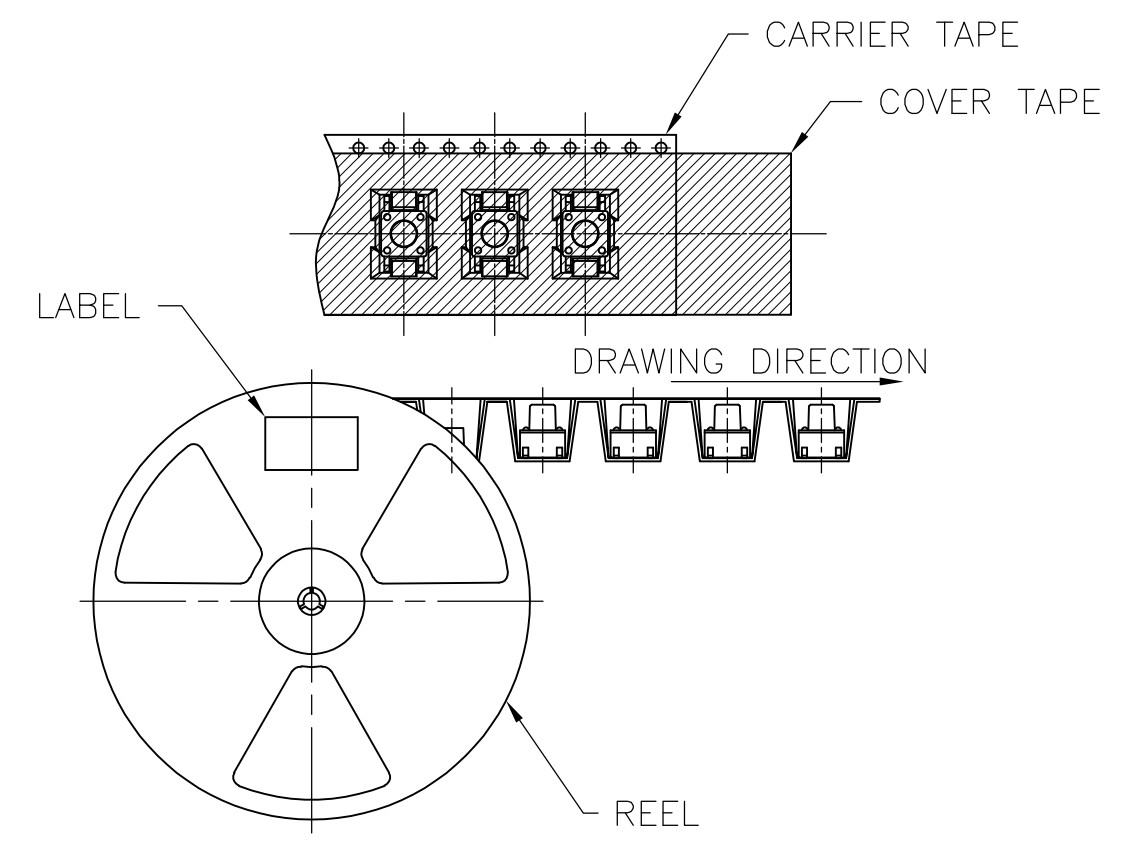
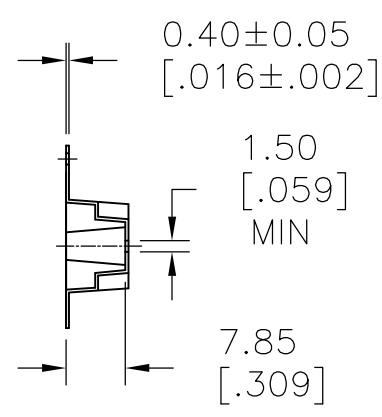
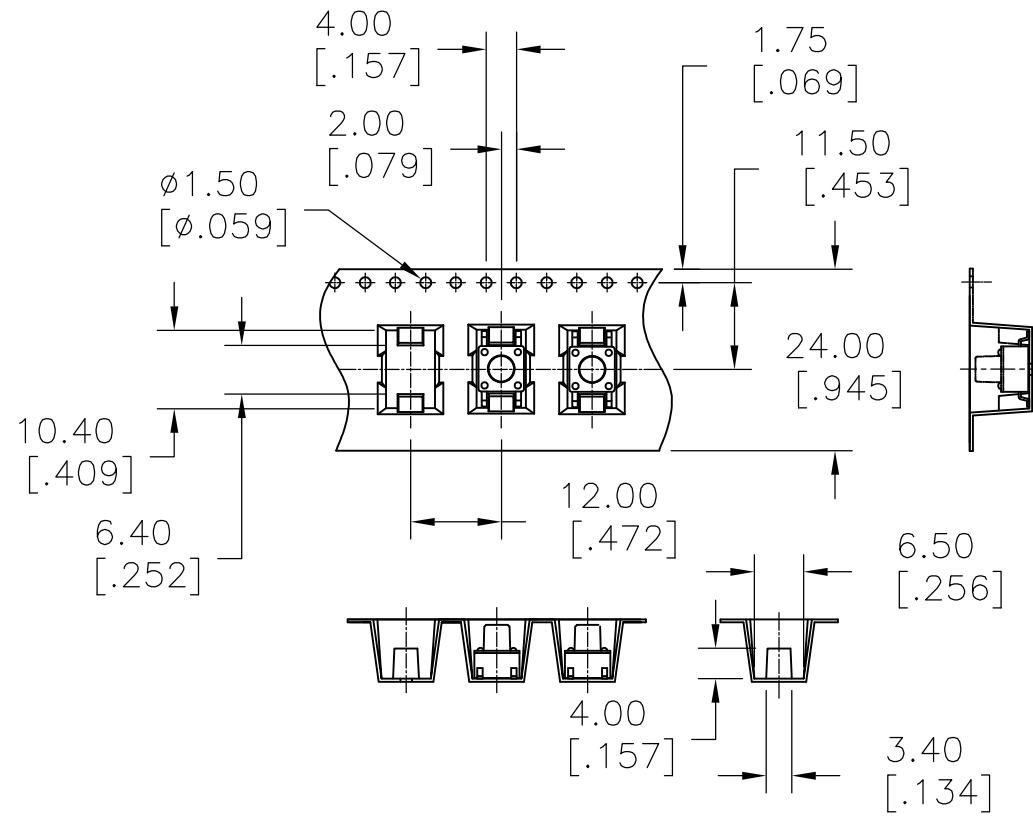
BOARD LAYOUT


OBSOLETE	BULK	160±50gf	BLACK	3.10[.122]	9.50[.375]	1977764-2
	TAPE & REEL	160±50gf	BLACK	3.10[.122]	9.50[.375]	1977764-1
	PACKAGE	O/FORCE	STEM COLOR	D(ø)	L	PART NO

THIS DRAWING IS A CONTROLLED DOCUMENT.		DWN RAGHAVENDRA 13DEC10	TE Connectivity			
DIMENSIONS: mm [INCHES]		CHK EPPLEY NAZ 13DEC10				
TOLERANCES UNLESS OTHERWISE SPECIFIED:		PRODUCT SPEC		TACT SWITCH, J-LEADS		
0 PLC ± -		APPLICATION SPEC		RESTRICTED TO		
1 PLC ± -		WEIGHT 0		SIZE A3	CAGE CODE 00779	DRAWING NO C-1977764
2 PLC ± 0.3[.012]		CUSTOMER DRAWING		SCALE 4:1	SHEET 1 OF 2	REV B
3 PLC ± -						
4 PLC ± -						
ANGLES ± -						
FINISH -						

THIS DRAWING IS UNPUBLISHED. RELEASED FOR PUBLICATION  
 © COPYRIGHT - By - ALL RIGHTS RESERVED.

REVISIONS					
P	LTR	DESCRIPTION	DATE	DWN	APVD
-	-	SEE SHEET 1	-	-	-



THIS DRAWING IS A CONTROLLED DOCUMENT.		DWN RAGHAVENDRA 13DEC10	 TE Connectivity			
DIMENSIONS: mm [INCHES]		CHK EPPLEY NAZ 13DEC10				
TOLERANCES UNLESS OTHERWISE SPECIFIED:		APVD EPPLEY NAZ 13DEC10	NAME			
0 PLC ± - 1 PLC ± - 2 PLC ± - 3 PLC ± 0.3[.012] 4 PLC ± - ANGLES ± -		PRODUCT SPEC	TACT SWITCH, J-LEADS			
MATERIAL		APPLICATION SPEC	SIZE	CAGE CODE	DRAWING NO	RESTRICTED TO
FINISH		WEIGHT	A3	00779	C-1977764	-
CUSTOMER DRAWING			SCALE 4:1	SHEET 2 OF 2	REV B	